



Engine	Perkins 2806J-E18TA
Rated Power	447.5 kW (600 hp / 608 ps) @ 2,000 rpm
Maximum Dig Depth	7,185 mm
Standard Bucket Capacity	6.2 m ³
Operating Mass	94,800-98,500 kg

995F EXCAVATOR

995F SPECIFICATIONS >>>

ENGINE

Emission Regulation	EU Stage V
Manufacturer	Perkins
Model	2806J-E18TA
Rated Power	447.5 kW (600 hp / 608 ps) @ 2,000 rpm
Peak Torque	2,811 N·m @ 1,300 rpm
Number of Cylinders	6
Displacement	18.1 L

UNDERCARRIAGE

Shoe Width	650 mm
Number of Shoes per Side	51
Number of Upper Rollers per Side	3
Number of Bottom Rollers per Side	9

SWING SYSTEM

Swing Speed	6 rpm
-------------	-------

TRACK DRIVE

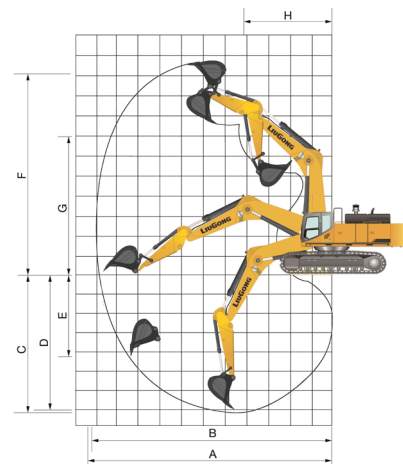
Maximum Travel Speed	4 km/h
Drawbar Pull	650 kN

HYDRAULIC SYSTEM

Main Pumps Total Flow	2×476 L/min
Relief Pressure, main	35 MPa
Relief Pressure, boost	37.3 MPa

DIMENSIONS

A. Transport Length	13,887 mm
B. Transport Height	5,228 mm
C. Track Gauge	3,510 / 2,750 mm
D. Transport Width	4,160 / 3,400 mm
E. Length to Center of Rollers	5,120 mm
F. Track Length	6,360 mm
G. Overall Width of Upper Structure	4,500 mm
H. Tail Swing Radius	4,830 mm
I. Counterweight Ground Clearance	1,675 mm
J. Cab Height	3,746 mm
K. Min. Ground Clearance	950 mm
L. Track Width	650 mm



BOOM & ARM

Boom Length	7,250 mm
Arm Length	2,925 mm

WORKING RANGE

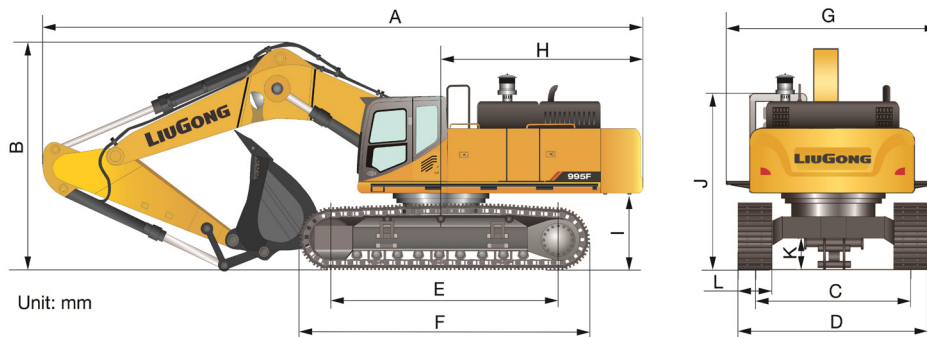
A. Max. Digging Reach	12,488 mm
B. Max. Digging Reach on Ground	12,172 mm
C. Max. Digging Depth	7,185 mm
D. Max. Digging Depth, 2.44 m (8') Level	7,044 mm
E. Max. Vertical Wall Digging Depth	5,395 mm
F. Max. Cutting Height	12,342 mm
G. Max. Dumping Height	7,979 mm
H. Min. Front Swing Radius	5,415 mm
Bucket Digging Force (ISO)	477 kN
Arm Digging Force (ISO)	364 kN

BUCKET PERFORMANCE

Std. Bucket Heaped Capacity (Referenced)	6.2 m ³
--	--------------------

SERVICE CAPACITIES

Fuel Tank	1,240 L
Engine Oil	64 L
Cooling System	100 L
Hydraulic Reservoir	480 L
Hydraulic System Total	960 L



Guangxi Liugong Machinery Co., Ltd.

No. 1 Liutai Road, Liuzhou, Guangxi 545007, PR China
 T: +86 772 3886124 E: overseas@liugong.com
 www.liugong.com

03/2025 Designed by LiuGong

Specifications and designs are subject to change without notice. Machines shown may include optional equipment. LiuGong standard and optional equipment may vary from region to region. Please consult your LiuGong dealer for information specific to your area. Engine power kW is converted to horsepower (1 kW=1.3596 ps and 1 kW=1.3410 hp) in this file.