



Engine	Cummins B6.7
Net Power	161 kW (216 hp / 219 ps) @ 2,000 rpm
Maximum Dig Depth	5,431 mm
Standard Bucket Capacity	1.4 m ³
Operating Mass	3,4700 kg

933F EXCAVATOR

933F SPECIFICATIONS >>>

ENGINE

Emission Regulation	EU Stage V
Manufacturer	Cummins
Model	B6.7
Net Power	161 kW (216 hp / 219 ps) @ 2,000 rpm
Peak Torque	949 N·m @ 1,500 rpm
Number of Cylinders	6
Displacement	6.7 L

UNDERCARRIAGE

Shoe Width	700 mm
Number of Shoes per Side	49
Number of Upper Rollers per Side	2
Number of Bottom Rollers per Side	9

TRACK DRIVE

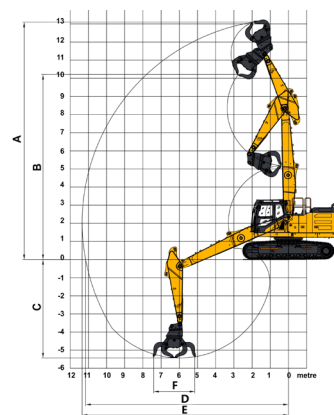
Maximum Travel Speed	5.5 km/h
Drawbar Pull	320 kN

HYDRAULIC SYSTEM

Main Pumps Total Flow	532 L/min
Relief Pressure, main	34.3 MPa
Relief Pressure, boost	37.3 MPa

DIMENSIONS

A. Transport Length	10,692 mm
B. Transport Height	3,393 mm
C. Track Gauge	2,590 mm
D. Transport Width	3,290 mm
E. Length to Center of Rollers	4,140 mm
F. Track Length	5,065 mm
G. Overall Width of Upper Structure	3,135 mm
H. Tail Swing Radius	3,240 mm
I. Counterweight Ground Clearance	1,221 mm
J. Cab Height	3,528 mm
K. Min. Ground Clearance	535 mm
L. Track Width	700 mm



BOOM & ARM

Boom Length	6,300 mm
Arm Length	3,200 mm

WORKING RANGE

A. Max. Gripping Height	13,098 mm
B. Max. Dumping Height	10,210 mm
C. Max. Gripping Depth	5,431 mm
D. Max. Gripping Reach on Ground	11,150 mm
E. Max. Gripping Reach	11,139 mm
F. Max. Opening Diameter (Grab Bucket)	2,255 mm

SWING SYSTEM

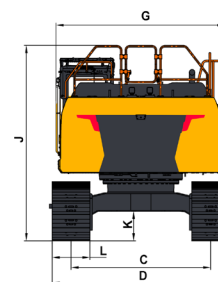
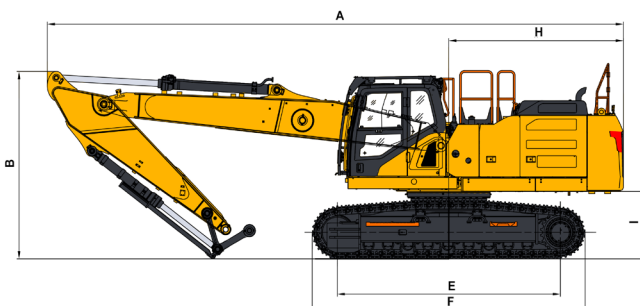
Swing Speed	10.3 rpm
-------------	----------

BUCKET PERFORMANCE

Std. Bucket Heaped Capacity (Referenced)	1.4 m ³
--	--------------------

SERVICE CAPACITIES

Fuel Tank	520 L
Engine Oil	23 L
Cooling System	35 L
Hydraulic Reservoir	195 L
Hydraulic System Total	360 L



Guangxi Liugong Machinery Co., Ltd.

No. 1 Liutai Road, Liuzhou, Guangxi 545007, PR China
 T: +86 772 3886124 E: overseas@liugong.com
 www.liugong.com

03/2025 Designed by LiuGong

Specifications and designs are subject to change without notice. Machines shown may include optional equipment. LiuGong standard and optional equipment may vary from region to region. Please consult your LiuGong dealer for information specific to your area. Engine power kW is converted to horsepower (1 kW=1.3596 ps and 1 kW=1.3410 hp) in this file.